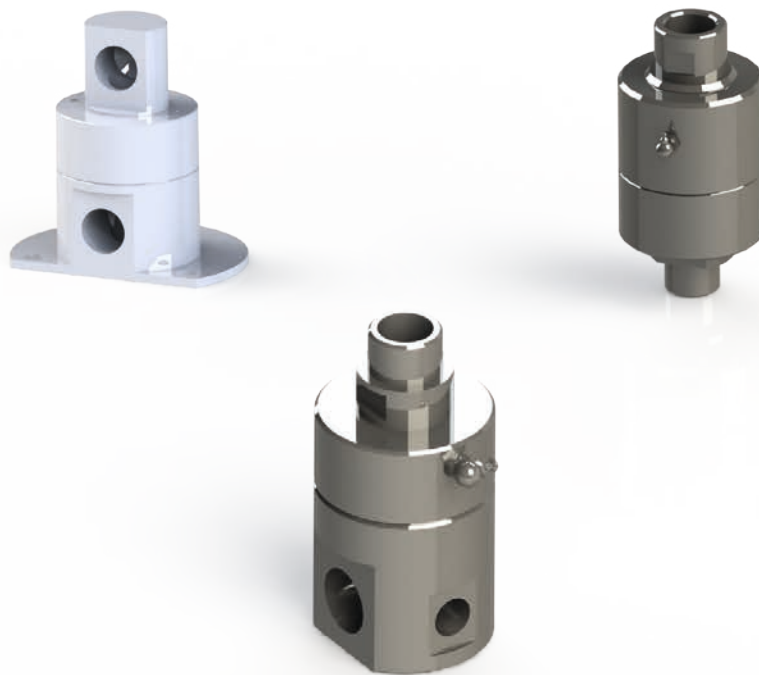




TECHNICAL SHEET



SWIVELS

Description / Dimensions

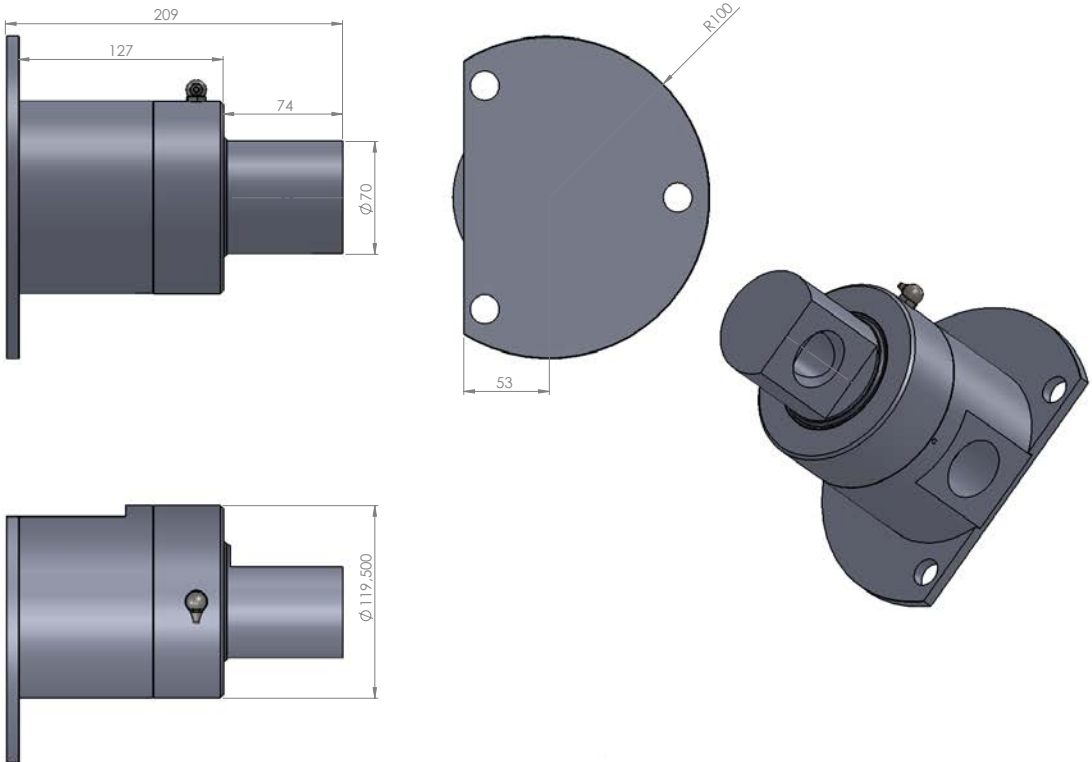


SWIVELS

1. F 1 1/4" - F 1 1/4" Stainless steel swivel

Moro straight Stainless steel swivel with greasing point 250 bar - 3626 psi working pressure.

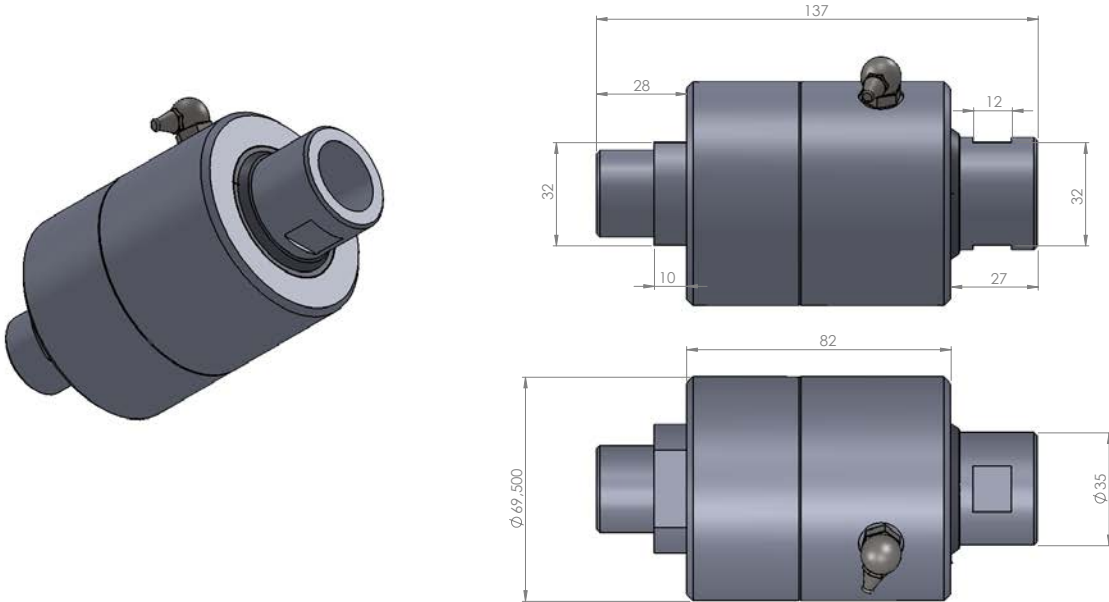
F 1 1/4" - F 1 1/4" Stainless steel swivel



3. M 3/4" - F 3/4" Stainless steel swivel

Moro straight Stainless steel swivel with greasing point 400 bar - 5801 psi working pressure.

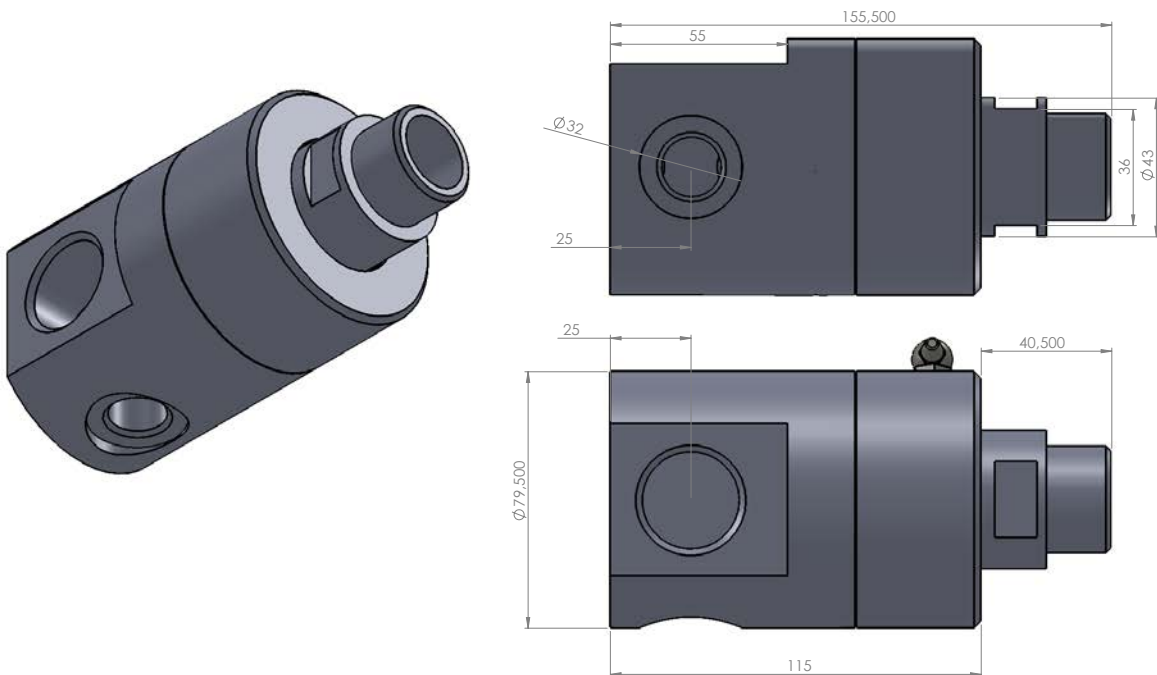
M 3/4" - F 3/4" Stainless steel swivel



2. 90° M1" - F1" - F 1/2" Stainless steel swivel

Moro 90° Stainless steel swivel with greasing point 250 bar - 3626 psi working pressure.

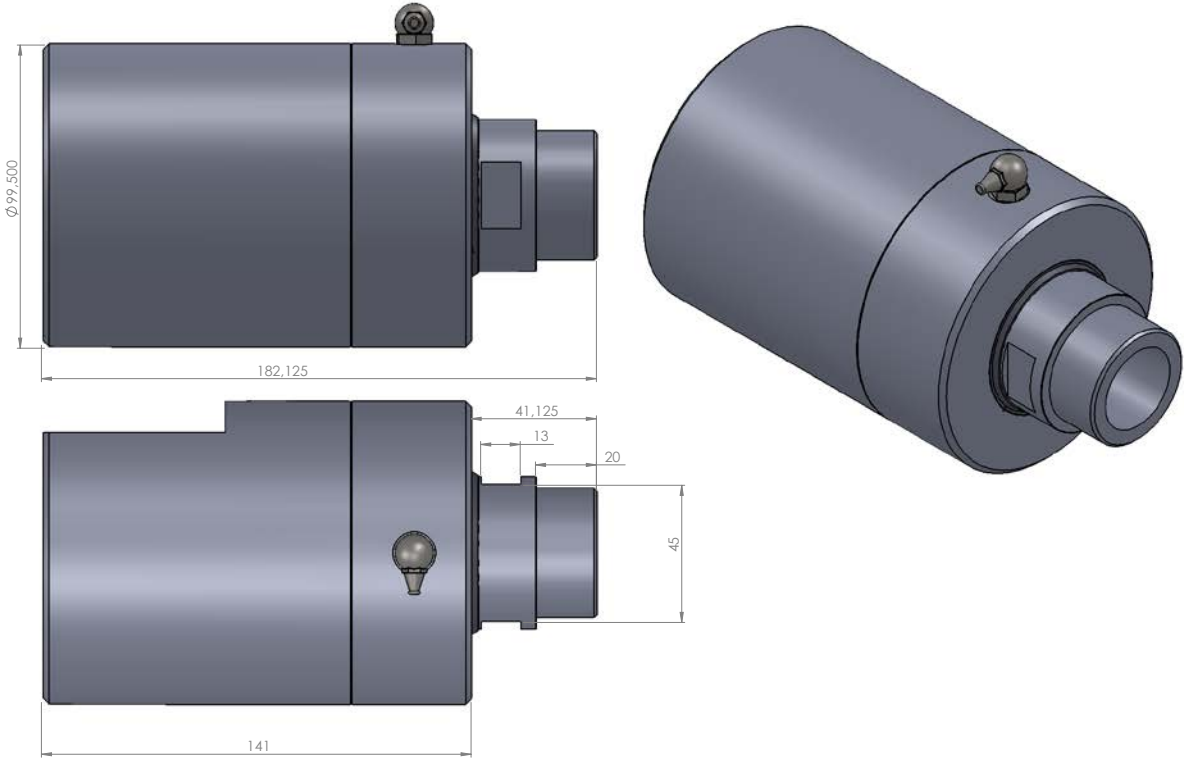
90° M1" - F1" - F 1/2" Stainless steel swivel



2. 90° M 1 1/4" F 1 1/4" Stainless steel swivel

Moro 90° Stainless steel swivel with greasing point 250 bar - 3626 psi working pressure.

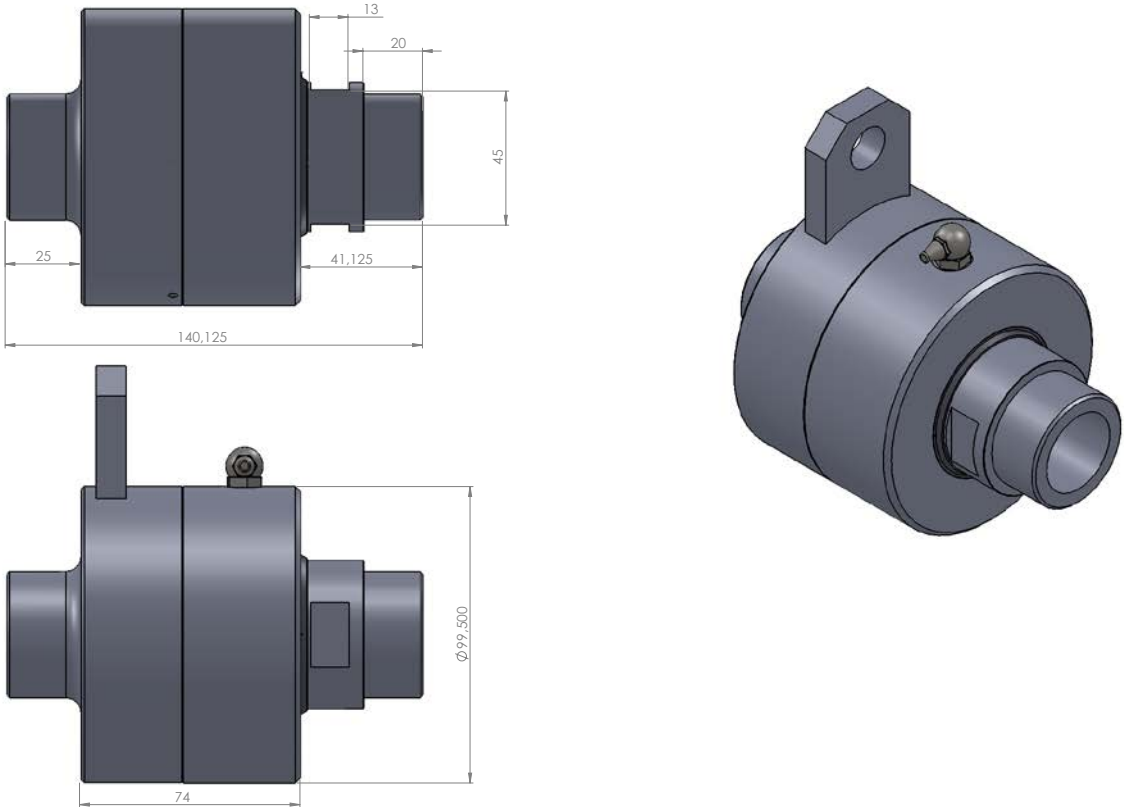
90° M 1 1/4" F 1 1/4" Stainless steel swivel



3. M 1 1/4" - M 1 1/4" Stainless steel swivel

Moro straight Stainless steel swivel with greasing point 250 bar - 3626 psi working pressure.

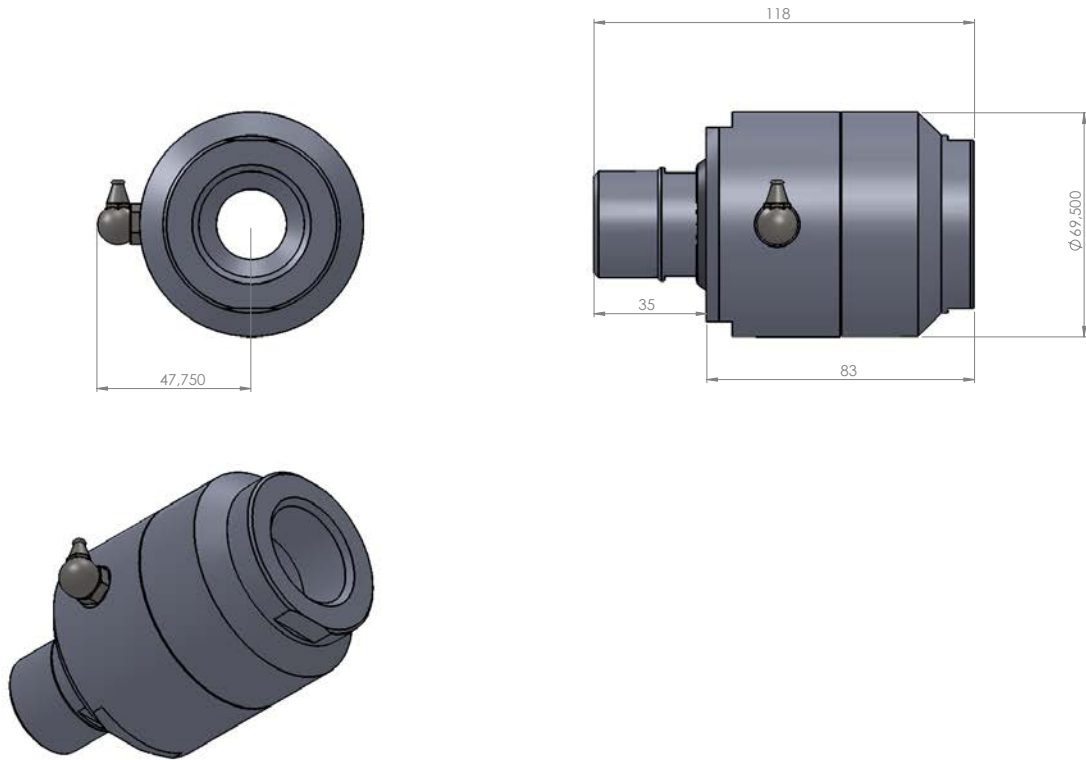
M 1 1/4" - M 1 1/4" Stainless steel swivel



2. M 1" - F 1" Stainless steel swivel

Moro straight Stainless steel swivel with greasing point 250 bar - 3626 psi working pressure.

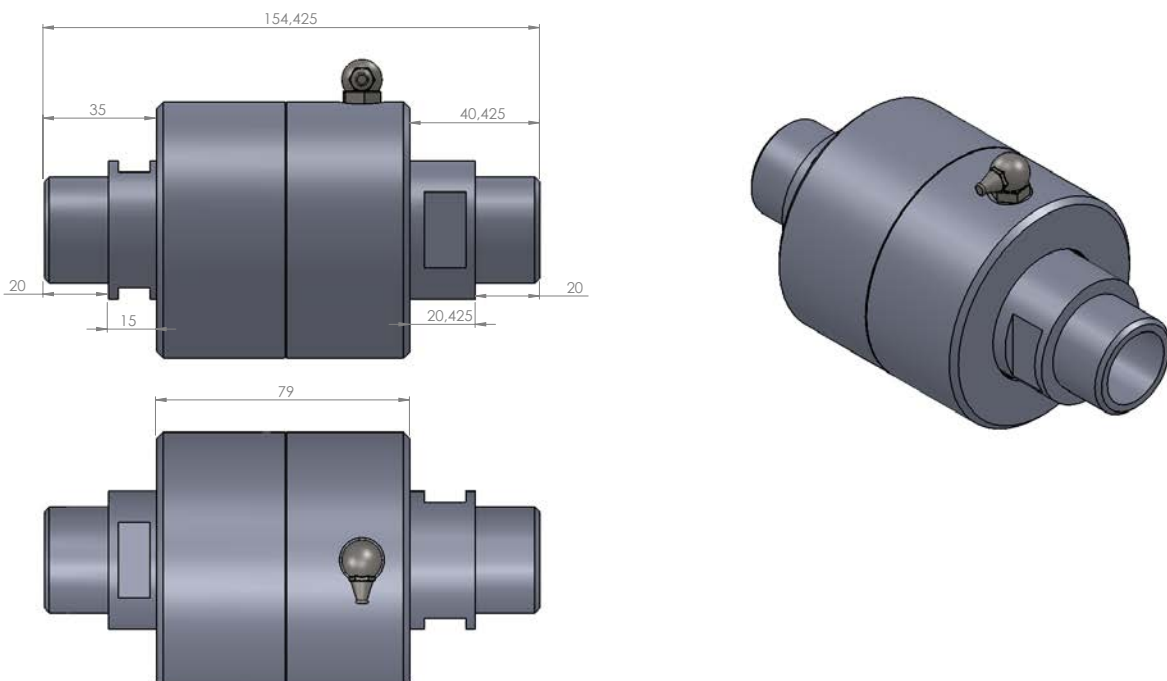
M 1" - F 1" Stainless steel swivel



3. M 1" - M 1" Stainless steel swivel

Moro straight Stainless steel swivel with greasing point 250 bar - 3626 psi working pressure.

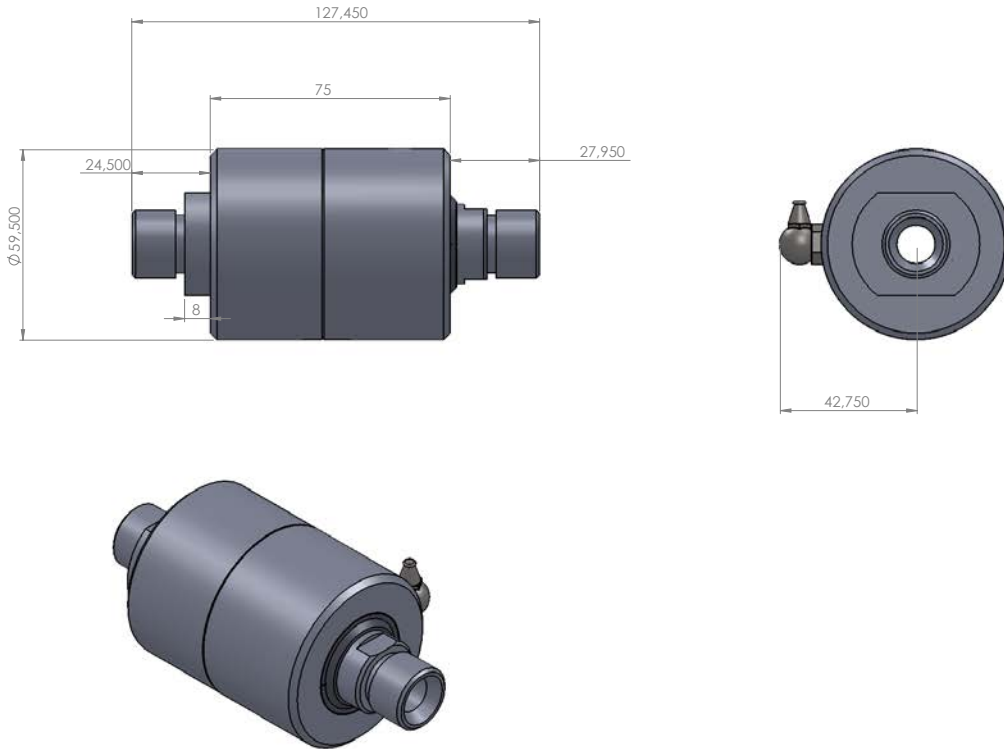
M 1" - M 1" Stainless steel swivel



3. M 1/2" - M 1/2" Stainless steel swivel

Moro straight Stainless steel swivel with greasing point 250 bar - 3626 psi working pressure.

M 1/2" - M 1/2" Stainless steel swivel



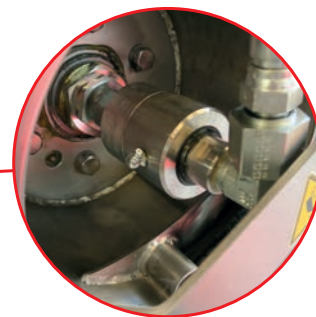
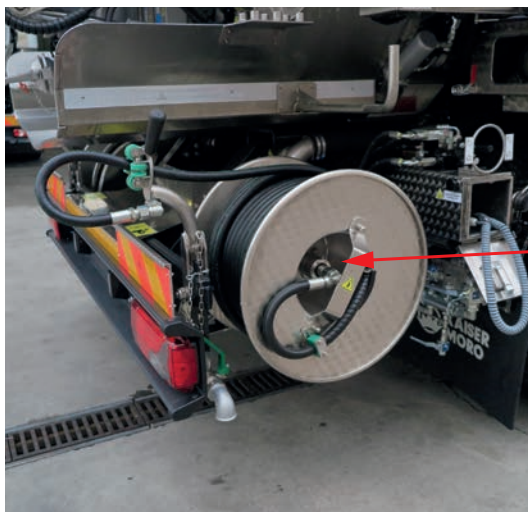
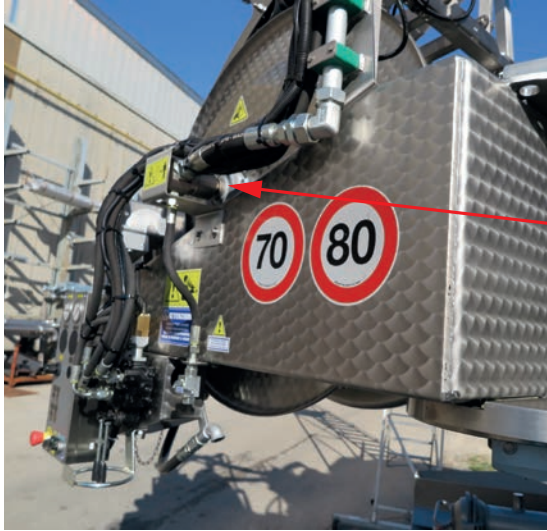
Technical data

Materials	Stainless steel (AISI304)
Max working pressure	From 250 to 400 bar / From 3623 to 5801 psi

Versions

	description	code	weight
1	F 1 1/4" - F 1 1/4" Stainless steel swivel	44373000002	2,3 kg
3	M 3/4" - F 3/4" Stainless steel swivel	44373000009	2,3 kg
2	90° M1" - F1" - F 1/2" Stainless steel swivel	44373000010	3,6 kg
2	90° M 1 1/4" F 1 1/4" Stainless steel swivel	44373000012	7,2 kg
3	M 1 1/4" - M 1 1/4" Stainless steel swivel	44373000013	4,4 kg
2	M 1" - F 1" Stainless steel swivel	44373000014	2 kg
3	M 1" - M 1" Stainless steel swivel	44373000015	2,9 kg
3	M 1/2" - M 1/2" Stainless steel swivel	44373000016	1,6 kg

Examples of application





MORO KAISER **COMPONENTS**

MORO KAISER S.R.L.

Via Pontebbana, 16
33080 FIUME VENETO (PN) ITALY

Tel. 0434 951.211

Fax: 0434 957.786

infomoro@morokaiser.it