

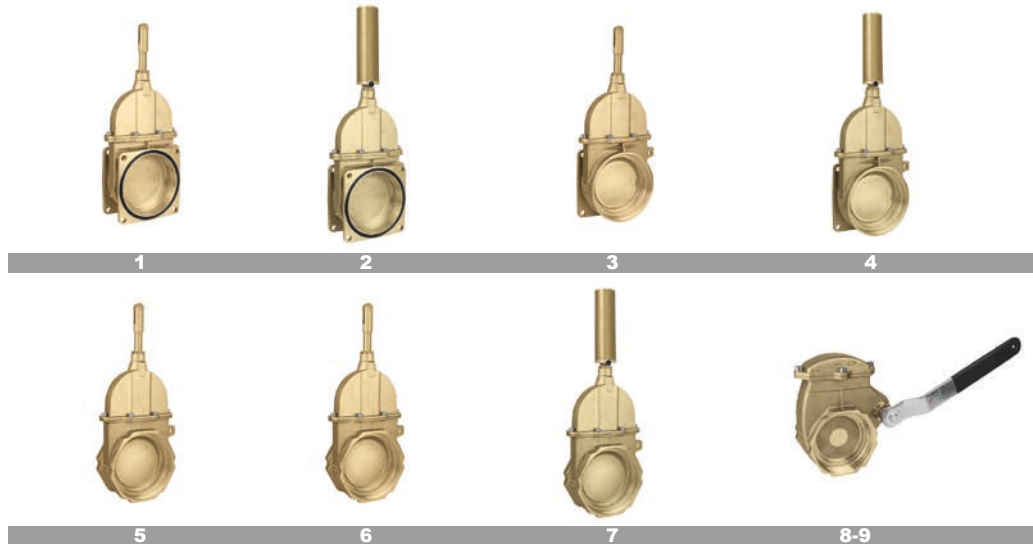


**TECHNICAL SHEET**



**GATE VALVES**

## Description / Dimensions

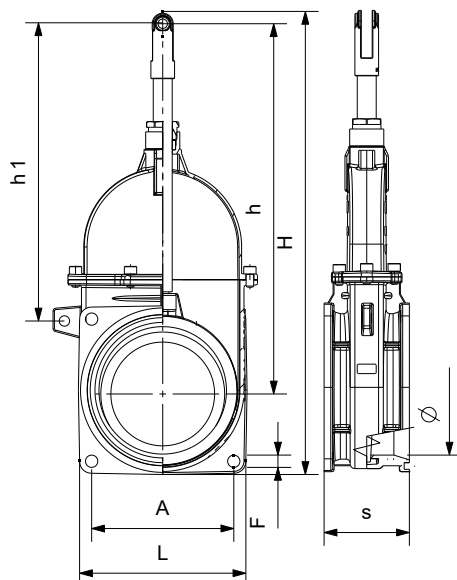


### GATE VALVES

#### 1. Piston Flange/Flange gate valve

Two flange Manual Brass piston gate valve with O-Rings gasket included, Anticorrosion Stainless Steel Screws.

Piston Flange/Flange gate valve

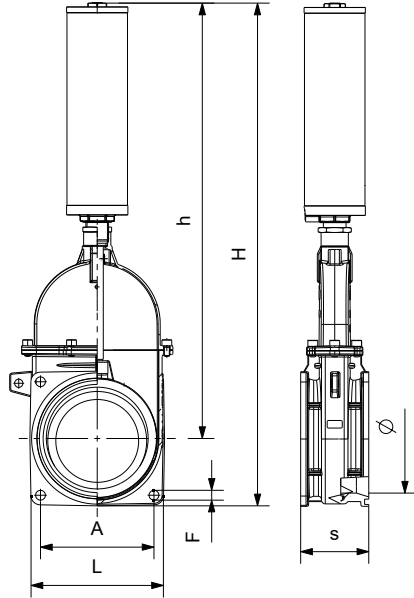


DN	Code	Ø	H	h	S	L	F	A	h1	PN	KG
4"	6.1021016-7-2	91	385	290	97	180	13	150	235	3bar-45psi	6,016
5"	6.1021047-0-2	120	450	350	90	180	13	150	295	3bar-45psi	7,468
6"	6.1021019-4-2	143	490	390	90	180	13	150	320	2,5bar-37psi	7,705
8"	6.1021020-1-2	191	610	485	111	230	13	180	385	1,5bar-21psi	16,759

## 2. Piston Flange/Flange gate with pneumatic cylinder

Two-flange piston gate valve with double-acting pneumatic jack in brass PPS system with O-ring gaskets.

Piston Flange/Flange gate with pneumatic cylinder

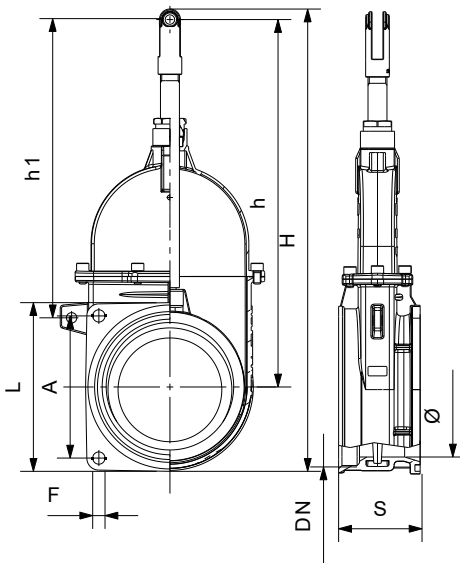


DN	Code	Ø	H	h	S	L	F	A	h1	PN	KG
4"	6.925058025-2	91	531	441	97	180	13	150		3bar-45psi	9,462
6"	6.925058026-2	143	663	574	90	180	13	150		2,5bar-37psi	11,629
8"	6.1033070-5-2	191	808	694	111	230	13	180		1,5bar-21psi	20,467

## 3. Piston Flange/Thread gate valve

Flange - Thread Manual Brass piston gate valve with O-Rings gasket included, Anticorrosion Stainless Steel Screws.

Piston Flange/Thread gate valve

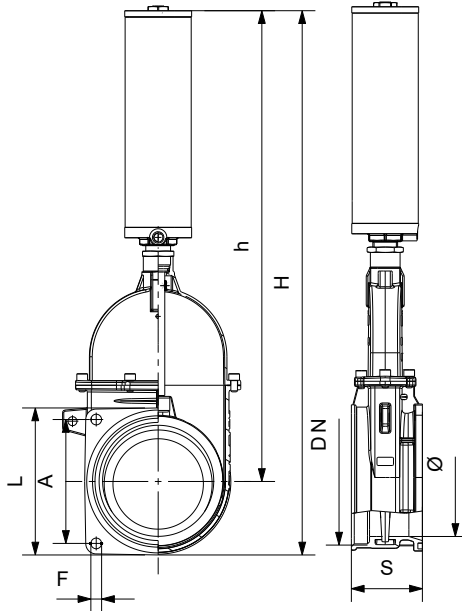


DN	Code	Ø	H	h	S	L	F	A	h1	PN	KG
4"	6.1021026-5-2	91	385	290	79	180	13	150	235	3bar-45psi	4,813
6"	6.1021036-3-2	143	490	390	88	180	13	150	320	2,5bar-37psi	7,499

#### 4. Piston Flange/Thread gate with pneumatic cylinder

Flange-Thread piston gate valve with double-acting pneumatic jack in brass PPS system with O-ring gaskets.

Piston Flange/Thread gate with pneumatic cylinder

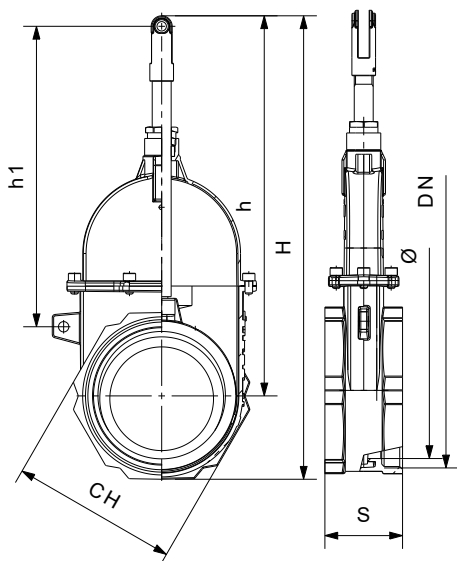


DN	Code	Ø	H	h	S	L	F	A	h1	PN	KG
4"	6.925058125-2	91	531	441	79	180	13	150		3bar-45psi	8,372
6"	6.925058126-2	143	663	574	88	180	13	150		2,5bar-37psi	11,588

#### 5. Piston Thread/Thread gate valve

Thread - Thread Manual Brass piston gate valve with O-Rings gasket included, Anticorrosion Stainless Steel Screws.

Piston Thread/Thread gate valve

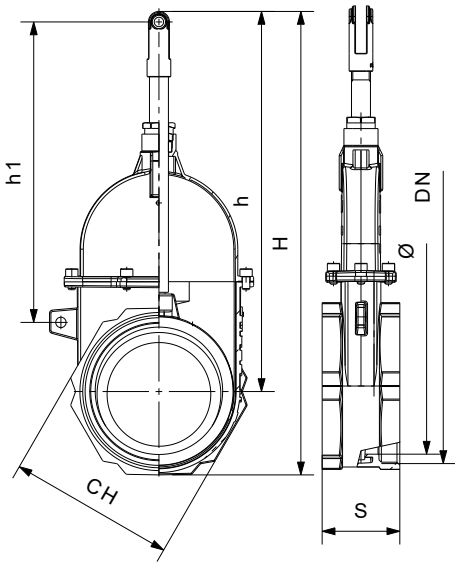


DN	Code	Ø	H	h	S	L	F	A	h1	PN	KG
4"	6.1021011-2-2	91	360	287	68				235	3bar-45psi	3,811
6"	6.1021014-9-2	144	492	390	82				320	2,5bar-37psi	7,324

### 6. NPT Piston Thread/Thread gate valve

Thread - Thread Manual Brass piston gate valve with O-Rings gasket included, Anticorrosion Stainless Steel Screws.

NPT Piston Thread/Thread gate valve

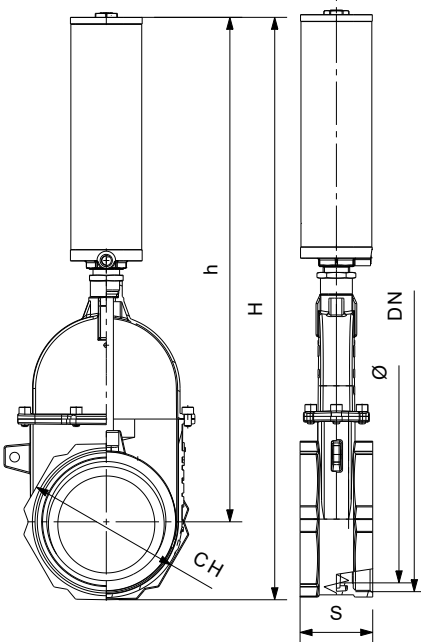


DN	Code	Ø	H	h	S	L	F	A	h1	PN	KG
4"	6.1033448-0-2	91	360	265	68				220	3bar-45psi	3,873
6"	6.1033449-9-2	144	480	390	82				320	2,5bar-37psi	7,324

### 7. Piston Thread/Thread gate with pneumatic cylinder

Flange-Thread piston gate valve with double-acting pneumatic jack in brass PPS system with O-ring gaskets.

Piston Thread/Thread gate with pneumatic cylinder

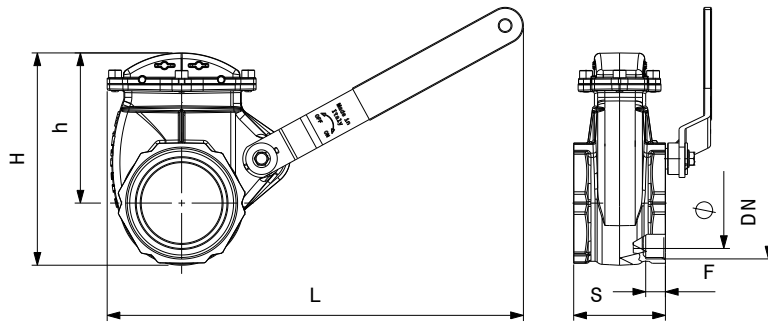


DN	Code	Ø	H	h	S	L	F	A	h1	PN	KG
4"	6.925055095-2	91	502	441	68					3bar-45psi	7,407

### 8. Manual Thread/Thread gate valve

This type of lever gate valve differs from the others in that it has a wedge composed by two horizontally pivoted disks (Pict. A) so that it can always fit perfectly the tapered seat (Pict. B) assuring a perfect valve tightness. Great capacity that allows to avoid the clogging of the valve. Anticorrosion stainless steel screws. In accordance with 97/23/CE (PED) Directives

Manual Thread/Thread gate valve

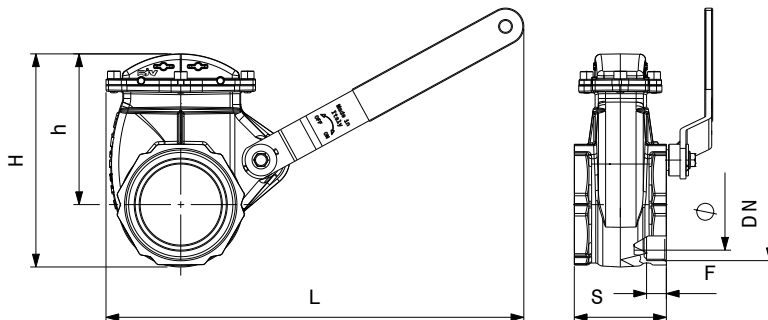


DN	Code	Ø	H	h	S	L	F	A	h1	PN	KG
2"	6.925035006-2	49	115	54	75	227	20			16bar-230psi	1,767
2 1/2"	6.925035007-2	59	150	106	80	405	21			16bar-230psi	3,163
3"	6.925035008-1	70	165	117	86	425	21			10bar-145psi	4,083
4"	6.1021048-9-2	92	215	152	93	450	22			10bar-145psi	5,526
6"	6.925035029-1	144	320	230	102	525	22			8bar-116psi	11,243

### 9. NPT Manual Thread/Thread gate valve

This type of NPT lever gate valve differs from the others in that it has a wedge composed by two horizontally pivoted disks (Pict. A) so that it can always fit perfectly the tapered seat (Pict. B) assuring a perfect valve tightness. Great capacity that allows to avoid the clogging of the valve. Anticorrosion stainless steel screws. In accordance with 97/23/CE (PED) Directives.

NPT Manual Thread/Thread gate valve

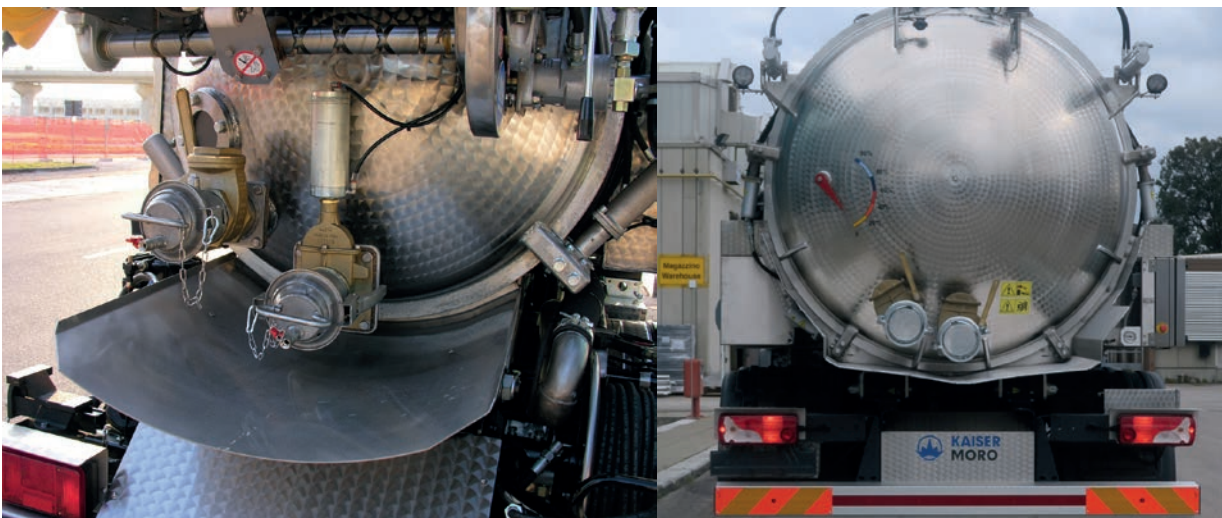


DN	Code	Ø	H	h	S	L	F	A	h1	PN	KG
2"	6.925035060-1	49	115	54	75	228	20			16bar-230psi	1,721
3"	6.925035050-1	70	165	117	86	425	21			10bar-145psi	4,208
4"	6.925035055-1	92	215	152	93	450	22			10bar-145psi	5,639
6"	???	144	320	230	102	525	24			8bar-116psi	10,970

## Versions

	description	dimensions	code
<b>1</b>	Piston Flange/Flange gate valve	4" - 3 bar max pressure 5" - 3 bar max pressure 6" - 2,5 bar max pressure 8" - 1,5 bar max pressure"	6.1021016-7-2 6.1021047-0-2 6.1021019-4-2 6.1021020-1-2
<b>2</b>	Piston Flange/Flange gate valve with pneumatic cylinder	4" - 3 bar max pressure 6" - 2,5 bar max pressure 8" - 1,5 bar max pressure	6.925058025-2 6.925058026-2 6.1033070-5-2
<b>3</b>	Piston Flange/Thread gate valve	4" - 3 bar max pressure 6" - 2,5 bar max pressure	6.1021026-5-2 6.1021036-3-2
<b>4</b>	Piston Flange/Thread gate valve with pneumatic cylinder	4" - 3 bar max pressure 6" - 2,5 bar max pressure	6.925058125-2 6.925058126-2
<b>5</b>	Piston Thread/Thread gate valve	4" - 3 bar max pressure 6" - 2,5 bar max pressure	6.1021011-2-2 6.1021014-9-2
<b>6</b>	NPT Piston Thread/Thread gate valve	4" - 3 bar max pressure 6" - 2,5 bar max pressure	6.1033448-0-2 6.1033449-9-2
<b>7</b>	Piston Thread/Thread gate valve with pneumatic cylinder	4" - 3 bar max pressure	6.925055095-2
<b>8</b>	Manual Thread/Thread gate valve	2" - 16 bar max pressure 2 1/2" - 16 bar max pressure 3" - 10 bar max pressure 4" - 10 bar max pressure 6" - 8 bar max pressure	6.925035006-2 6.925035007-2 6.925035008-1 6.1021048-9-2 6.925035029-1
<b>9</b>	NPT Manual Thread/Thread gate valve	2" - 16 bar max pressure 3" - 10 bar max pressure 4" - 10 bar max pressure 6" - 8 bar max pressure	6.925035060-1 6.925035050-1 6.925035055-1 6.925035065-1

## Examples of application





# **MORO KAISER** **COMPONENTS**

**MORO KAISER S.R.L.**

Via Pontebbana, 16  
33080 FIUME VENETO (PN) ITALY

Tel. 0434 951.211

Fax: 0434 957.786

[infomoro@morokaiser.it](mailto:infomoro@morokaiser.it)