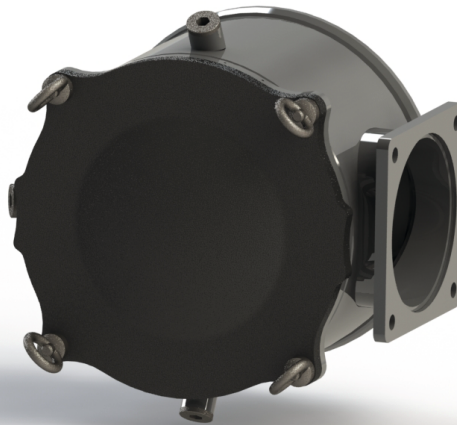


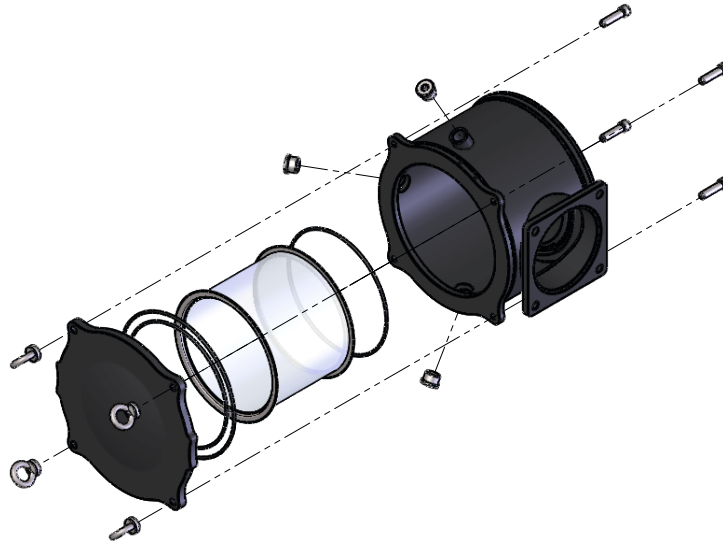


TECHNICAL SHEET

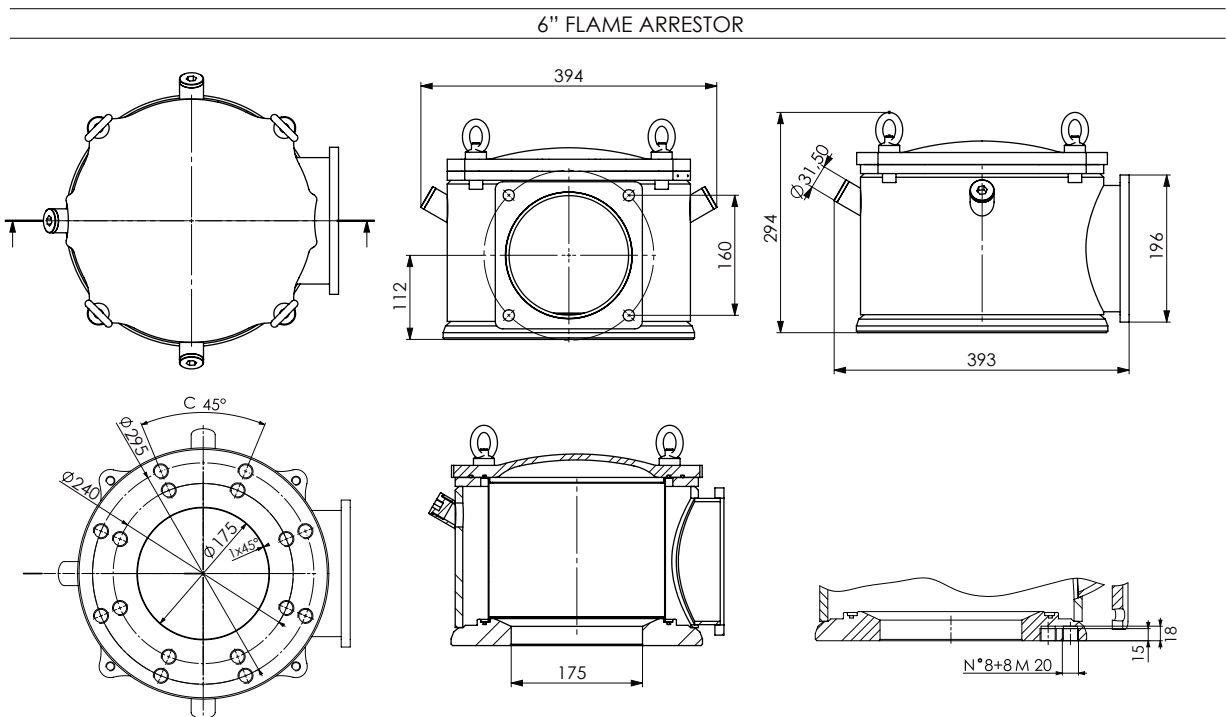


6" FLAME ARRESTOR

Description / Dimensions



6" Inlet-outlet Moro Flame Arrestor. For ADR application and oil and gas vacuum equipments.



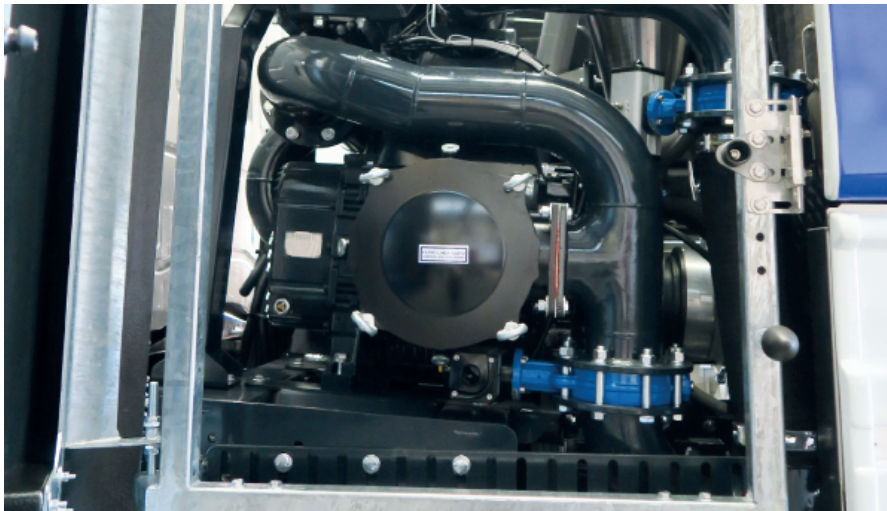
Technical data

Materials	
Body	CARBON STEEL
Mesh filter (125 micron)	AISI 304

Versions

description	code	weight
6" Flame arrestor	42902500088	43 kg

Examples of application





MORO KAISER **COMPONENTS**

MORO KAISER S.R.L.

Via Pontebbana, 16
33080 FIUME VENETO (PN) ITALY

Tel. 0434 951.211

Fax: 0434 957.786

infomoro@morokaiser.it