



# MORO KAISER COMPONENTS

## PM150T TURBO

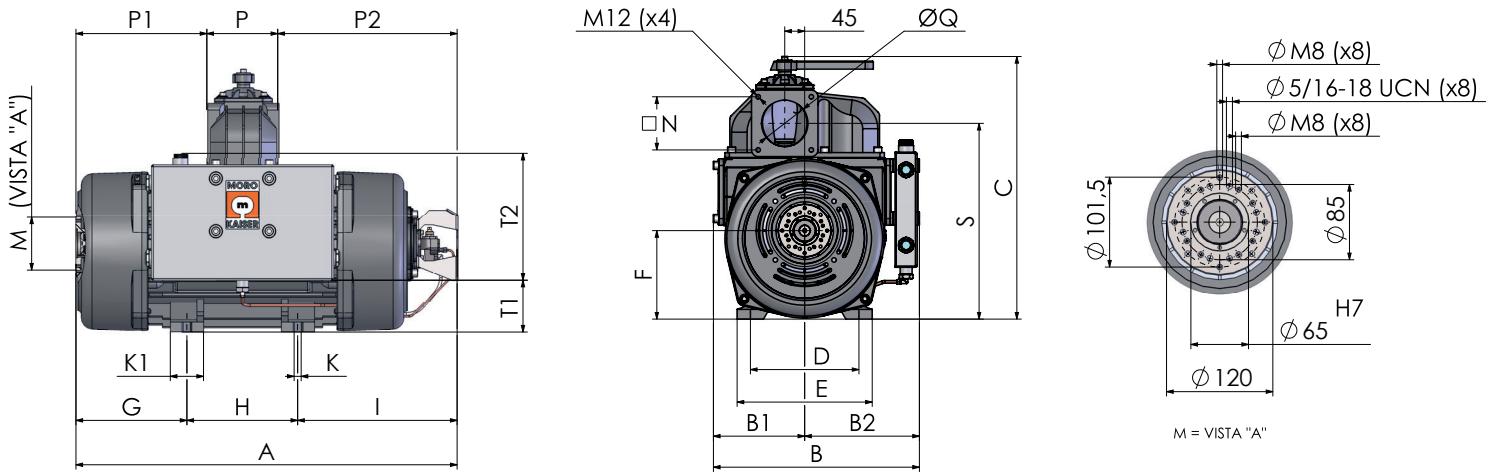
- ✓ **New forced continuous lubrication system on both bearings**
- ✓ **Side-mounted stainless steel oil tank to improve vacuum pump cooling efficiency applicable both on the RIGHT and on the LEFT side**
- ✓ **Bidirectional vacuum pump (CR or CCR): no need to open the vacuum pump and replace parts to change the direction of rotation but only the lubrication pump**
- ✓ **New oil pump protection**
- ✓ **For your own safety, built-in lifting hooks**

**NEW**



*Dual fan air cooled vacuum pumps*

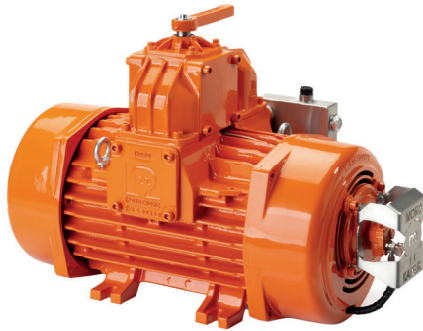
# PM150T



PM150T	A	B	B1	B2	C	D	E	F	G	H	I	K	K1	N	P	P1	P2	Q	S	T1	T2
mm	860.5	465	206	259	593	245	305	200	250.5	250	360	16	65	120	160	295.5	405	100	442	117	286.5
in	33.9	18.3	8.1	10.2	23.3	9.6	12.0	7.9	9.9	9.8	14.2	0.6	2.6	4.7	6.3	11.6	15.9	4	17.4	4.6	11.3

**Codice Code**  
6.211005210-1  
6.211005220-1

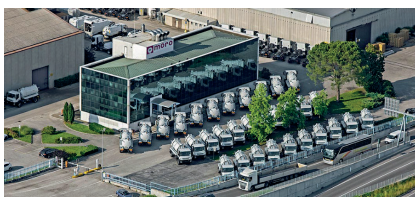
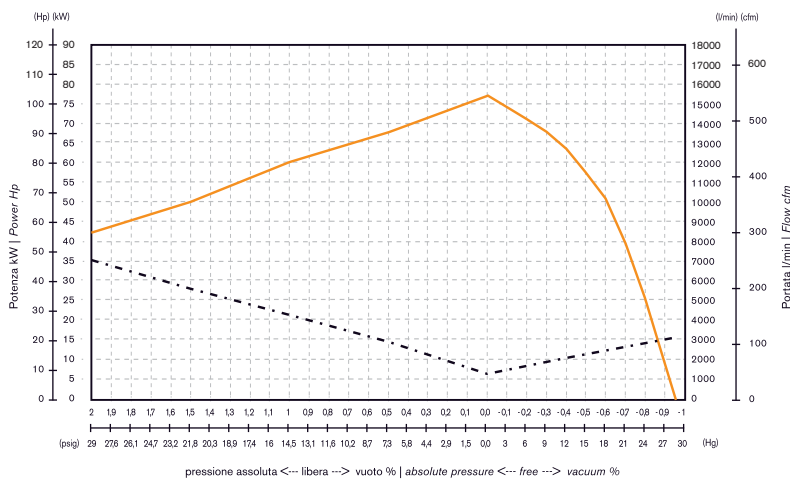
**Rotazione Rotation**  
CCR / SX / LEFT  
CR / DX / RIGHT



## Prestazioni | Performances

<b>Portata d'aria a bocca libera</b>   Free air flow	lt/min	15450
	m <sup>3</sup> /h	927
	cfm	546
<b>Portata d'aria all'80% di vuoto</b> Air delivery at 80% vacuum	lt/min	5017
	m <sup>3</sup> /h	301
	cfm	177
<b>Vuoto servizio continuo</b> Continuous duty vacuum	%	80
	In Hg	23.9
	<b>Vuoto Massimo</b>   Maximum vacuum	%
<b>Pressione nominale lavoro</b>   Nominal working pressure	In Hg	27.5
	bar abs	2
	barg	1
	psi abs	29.0
	psig	14.5
<b>Pressione max</b>   Maximum pressure	bar abs	3
	barg	2
	psi abs	43.5
	psig	29.0
	<b>Potenza assorbita a vuoto max</b> Power required at maximum vacuum	Kw
<b>Potenza assorbita alla pressione max</b> Power required at maximum pressure	hp	21.9
	Kw	35
<b>Consumo olio</b>   Oil consumption	hp	47.6
<b>Capacità serbatoio olio</b>   Oil tank capacity	gr/h	220
	lt	4
	Quarts	4.2
<b>Livello di pressione sonora</b>   Noise level	dB-A	80
<b>Velocità massima</b>   Max speed	rpm	1350
<b>Velocità di lavoro</b>   Working speed	rpm	1100
<b>Peso</b>   Weight	Kg	240
	Lbs	529

## Portata | Flow rate



## MORO KAISER COMPONENTS

### MORO KAISER S.R.L.

Via Pontebbana, 16 - 33080 Fiume Veneto (PN), ITALY  
T +39 0434 951 211 F +39 0434 957 786  
infomoro@morokaiser.it | [www.morokaiser.it](http://www.morokaiser.it)

**KAISER AG**  
Vorarlbergerstrasse 220  
9486 Schaanwald, Liechtenstein  
T +423 377 21 21  
kaiserag@kaiser.li  
[www.kaiser.li](http://www.kaiser.li)

**KAISER PREMIER LLC**  
2550 E. Bijou Ave.  
Fort Morgan, CO 80701, USA  
T +1 970 542 1975  
sales@kaiserpremier.com  
[www.kaiserpremier.com](http://www.kaiserpremier.com)

**OY EUR-MARK AB**  
Jakobstadsvägen 39  
66900 Nykarleby, Finland  
T +358 20 73 45 800  
info@eurmark.fi  
[www.kaiser-eurmark.fi](http://www.kaiser-eurmark.fi)

**KAISER Fahrzeugtechnik GmbH**  
Gewerbestraße 4  
6710 Nenzing, Austria  
T +43 5525 641 80  
mail@kaiser-fahrzeugtechnik.at  
[www.kaiser-fahrzeugtechnik.at](http://www.kaiser-fahrzeugtechnik.at)

**KAISER Eastern Europe s.r.o.**  
Priemyselná 604/5  
922 02 Krakovany, Slovakia  
T +421 33 7353 500  
kaiser@kaiser-ee.sk  
[www.kaiser-ee.sk](http://www.kaiser-ee.sk)